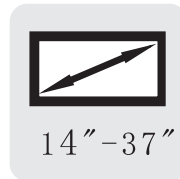


Wall Mount

INSTALLATION GUIDE

Model. GMPF622



14"-37"



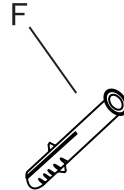
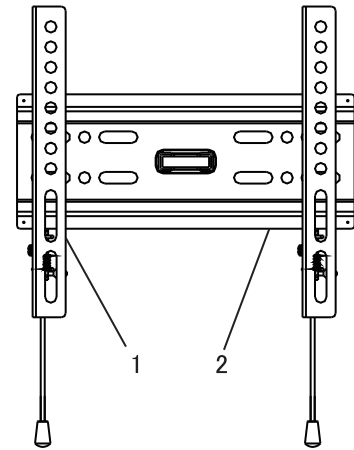
30KG/66lbs



VESA

200x200

Hardware List:



ID	Qty	Description
1	2	Bracket
2	1	Wall mount
A	4	M4*20mm bolt
B	4	M6*25mm bolt
C	4	M8*25mm bolt

ID	Qty	Description
D	4	φ18 × φ8.5 × 10 spacer
E	8	M6 washer
F	4	φ6 × 40 Wall anchor
G	4	St6 × 50 bolt

1

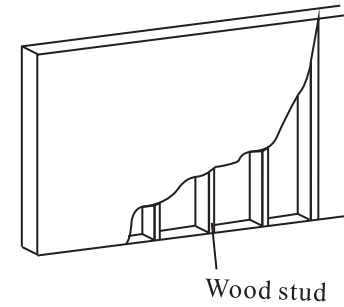


Fig 1

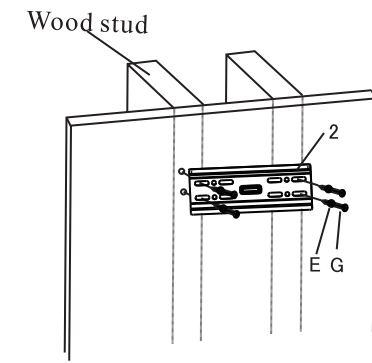


Fig 2

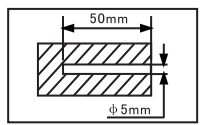


Fig 3



2

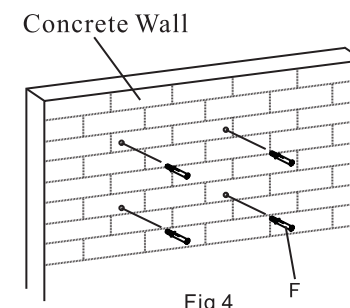


Fig 4

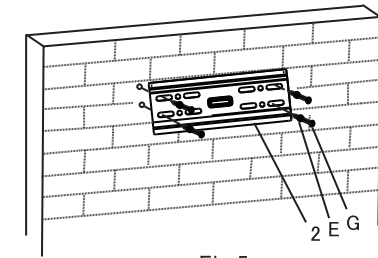


Fig 5

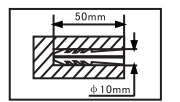


Fig 6



3

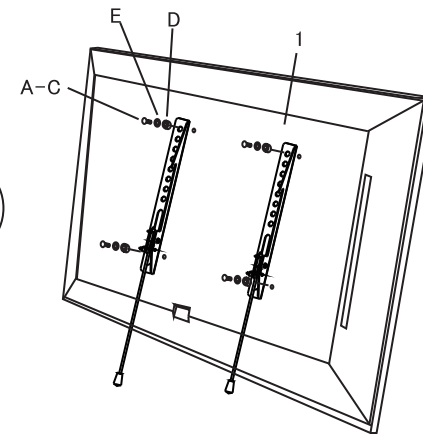


Fig 7

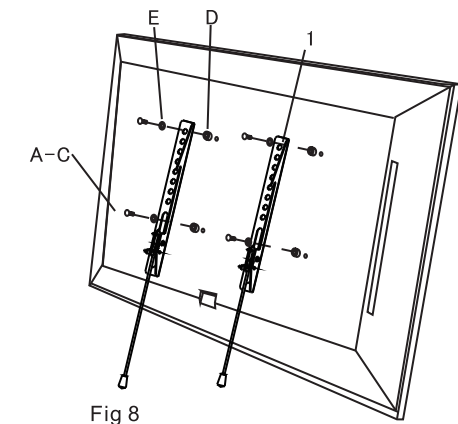


Fig 8



Fig 9

4

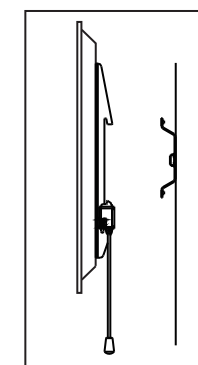


Fig 10

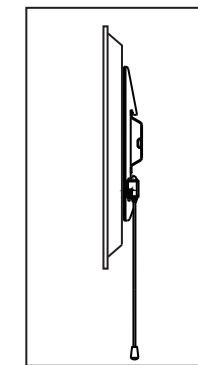


Fig 11